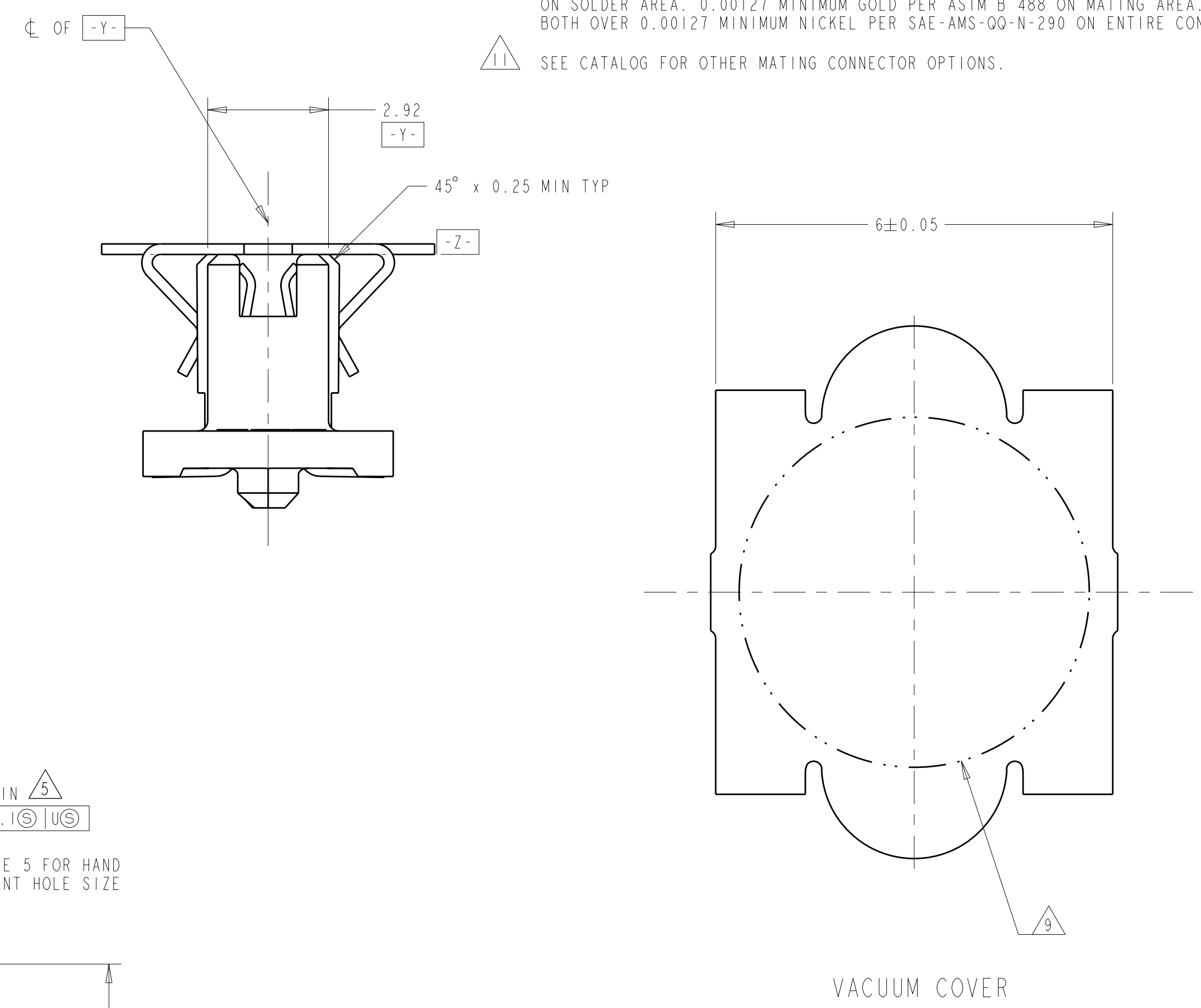
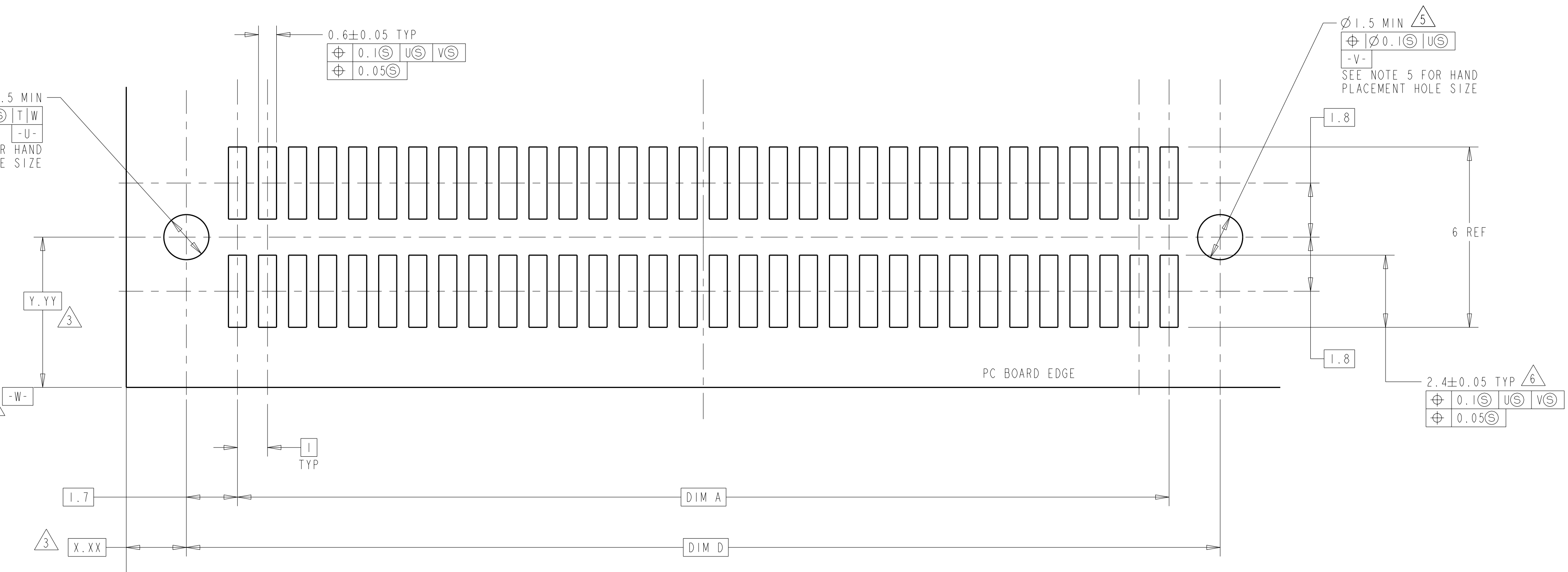
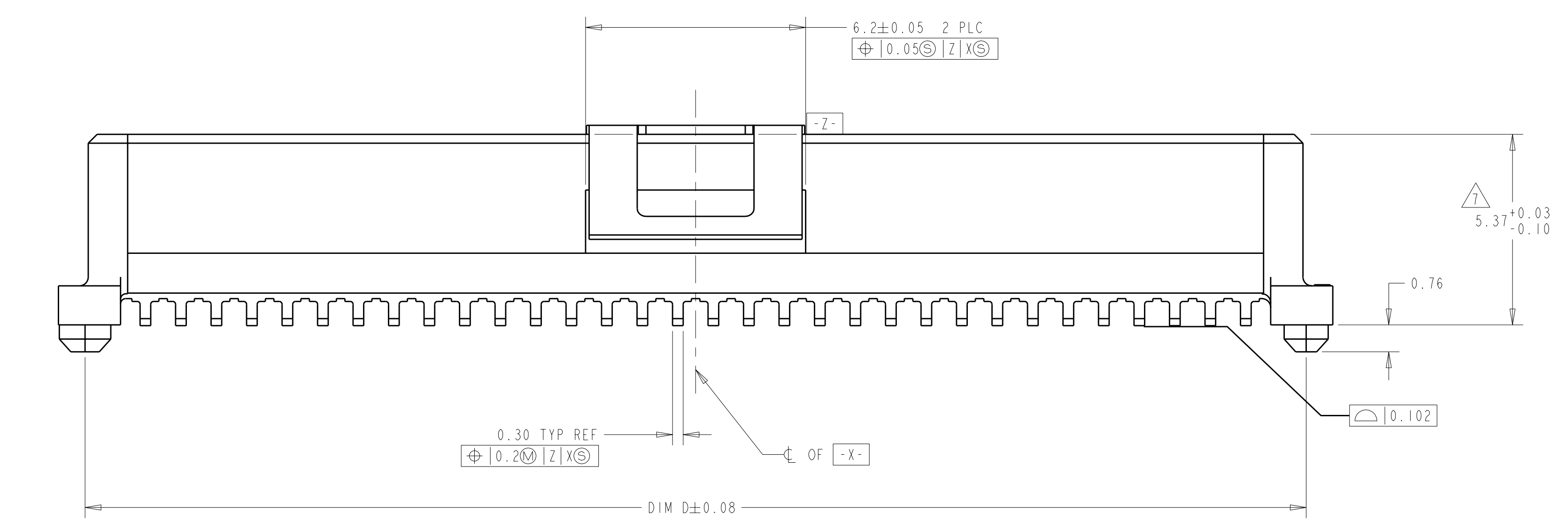
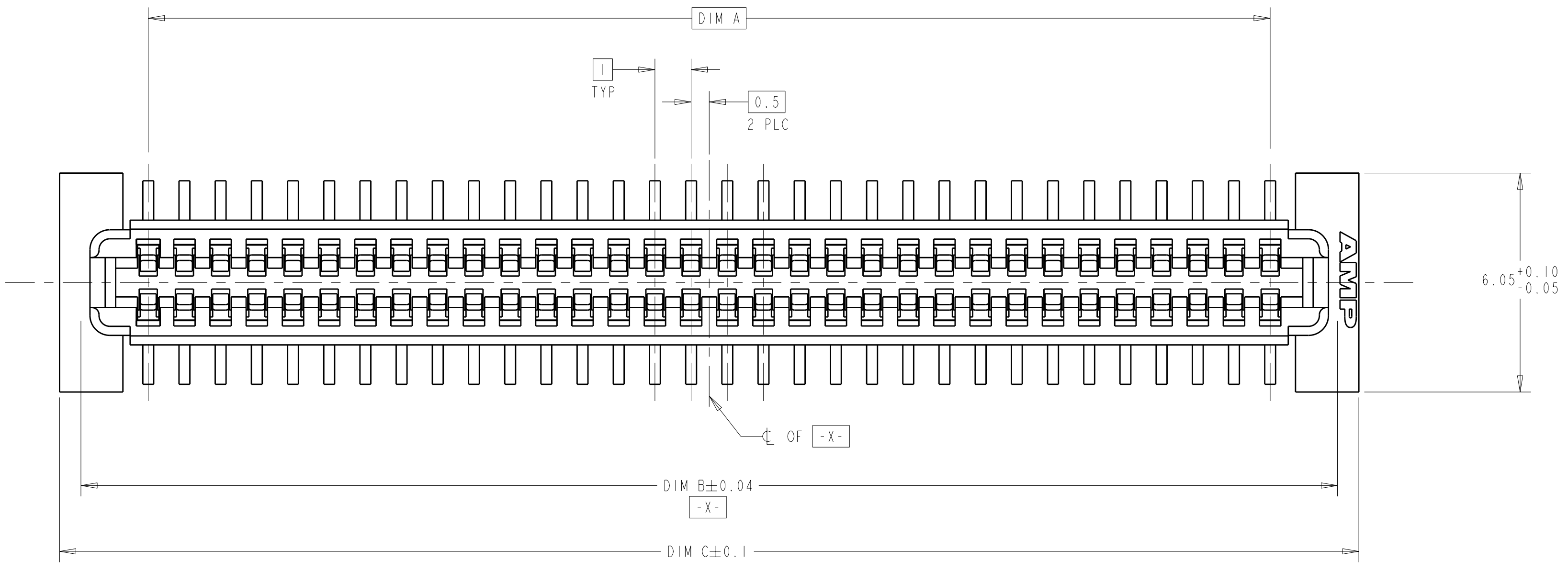


LOC	DIST	REV	DATE	BY	APP'D
AD	00	0	30SEP2004	BC	RW
		A	22JAN2007	BC	DB
		B	10JUL2008	DH	DB

- △ HOUSING MATERIAL: HIGH TEMPERATURE THERMOPLASTIC, COLOR: BLACK. CONTACT MATERIAL: PHOSPHOR BRONZE.
- △ CONTACT FINISH: NICKEL UNDERPLATE ALL OVER, MATING SURFACES PLATED TO MEET PLI PERFORMANCE REQUIREMENTS OF INDUSTRY SPECIFICATION EIA-700AAAB, SOLDER TAILS PLATED TIN.
- △ DATUM LOCATIONS AND BASIC DIMENSIONS TO BE ESTABLISHED BY THE CUSTOMER. CONSULT AMP ENGINEERING WHEN PLACING MULTIPLE CONNECTORS ON A PC BOARD.
- 4. PACKAGED IN TAPE ON REEL PER EIA-481.
- △ 1.4±0.05 DIAMETER HOLE WHEN PLACING BY HAND.
- △ SHORTER SOLDER LANDS MAY BE USED PER EIA 700AAAB, HOWEVER 2.4 LENGTH ASSURES OPTIMUM SOLDER FILLET REGARDLESS OF MANUFACTURER OF CONNECTOR.
- △ REFERRED TO AS DIM H = 5.30±0.1 IN EIA 700AAAB SPECIFICATION.
- 8. VACUUM COVER NOT SHOWN IN SOME VIEWS FOR CLARITY.
- △ 5.5 MIN DIAMETER TARGET AREA FOR VACUUM PICK-UP.
- △ CONTACT FINISH: 0.00381 MINIMUM MATTE TIN PER ASTM B 545 ON SOLDER AREA. 0.00127 MINIMUM GOLD PER ASTM B 488 ON MATING AREA. BOTH OVER 0.00127 MINIMUM NICKEL PER SAE-AMS-QQ-N-290 ON ENTIRE CONTACT.
- △ SEE CATALOG FOR OTHER MATING CONNECTOR OPTIONS.



FINISH	DIM D	DIM C	DIM B	DIM A	MATING CONNECTORS	STACK HEIGHTS	POS	PART NUMBER
△10	44.4	45.9	44.22	41	1-5146888-2	10	84	1-5146893-2
△10	44.4	45.9	44.22	41	1-5146898-2	9	84	1-5146893-2
△10	44.4	45.9	44.22	41	1-5146897-2	8	84	1-5146893-2
△10	34.4	35.9	34.22	31	1-5146888-1	10	64	1-5146893-1
△10	34.4	35.9	34.22	31	1-5146898-1	9	64	1-5146893-1
△10	34.4	35.9	34.22	31	1-5146897-1	8	64	1-5146893-1
△2	44.4	45.9	44.22	41	5146888-2	10	84	5146893-2
△2	44.4	45.9	44.22	41	5146898-2	9	84	5146893-2
△2	44.4	45.9	44.22	41	5146897-2	8	84	5146893-2
△2	34.4	35.9	34.22	31	5146888-1	10	64	5146893-1
△2	34.4	35.9	34.22	31	5146898-1	9	64	5146893-1
△2	34.4	35.9	34.22	31	5146897-1	8	64	5146893-1

THIS DRAWING IS UNPUBLISHED. RELEASED FOR PUBLICATION BY TYCO ELECTRONICS CORPORATION, ALL RIGHTS RESERVED.

TOLERANCES UNLESS OTHERWISE SPECIFIED:

9 PLC	±
1 PLC	±0.03
5 PLC	±0.003
4 PLC	±
ANGLES	±0°1'

FINISH: SEE TABLE

DATE: 30SEP04
 DWN: B. CARBO
 CHK: R. WERTZ
 APP'D: R. WERTZ

PRODUCT SPEC: 502-1079
 APPLICATION SPEC: 114-25045

WEIGHT: -

CUSTOMER DRAWING

SCALE: 10:1

REV B

TYCO Electronics
 Harrisburg, PA 17105-3608

RECEPTACLE ASSY, W/ VACUUM COVER, 1.0mm FH (IEEE 1386) CONNECTOR

SIZE: 00779 C=5146893